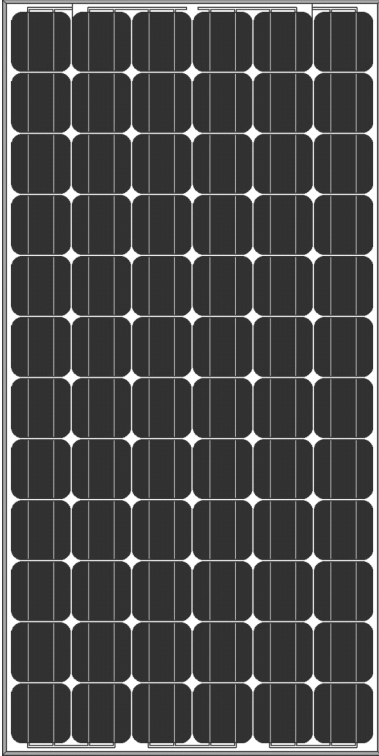




AS-5M

MONOCRYSTALLINE MODULE



ADVANCED PERFORMANCE & PROVEN ADVANTAGES

- High module conversion efficiency up to 17.23% by using high efficient solar cells and advanced manufacturing technology.
- Low degradation and excellent performance under high temperature and low light conditions.
- Robust aluminum frame ensures the modules to withstand wind loads up to 2400Pa and snow loads up to 5400Pa.
- High reliability against extreme environmental conditions (passing salt mist, ammonia and hail tests).
- Potential induced degradation (PID) resistance.
- Positive power tolerance of 0 ~ +3 %.

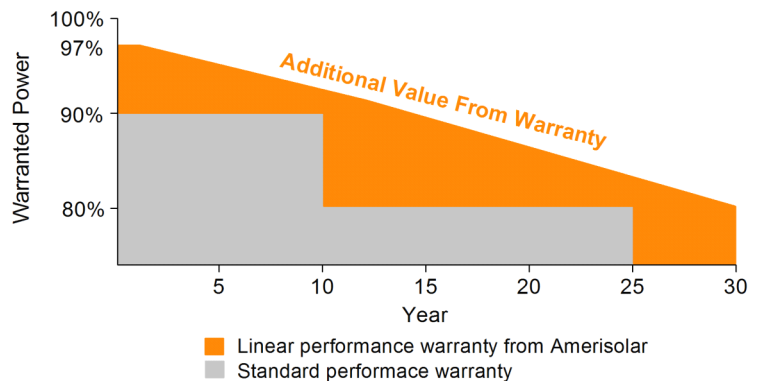
CERTIFICATIONS

- IEC61215, IEC61730, IEC62716, IEC61701, CE, CQC, CGC, ETL(USA), JET(Japan), J-PEC(Japan), Kemco(South Korea), KS(South Korea), MCS(UK), CEC(Australia), FSEC(FL-USA), CSI Eligible(CA-USA), Israel Electric(Israel), InMetro(Brazil), TSE(Turkey)
- ISO9001:2008: Quality management system
- ISO14001:2004: Environmental management system
- OHSAS18001:2007: Occupational health and safety management system

Passionately
committed to
delivering innovative
energy solution

SPECIAL WARRANTY

- 12 years limited product warranty.
- Limited linear power warranty: 12 years 91.2% of the nominal power output, 30 years 80.6% of the nominal power output.



ELECTRICAL CHARACTERISTICS AT STC

Nominal Power (P_{max})	195W	200W	205W	210W	215W	220W
Open Circuit Voltage (V_{oc})	45.1V	45.2V	45.4V	45.6V	45.8V	46.0V
Short Circuit Current (I_{sc})	5.63A	5.72A	5.81A	5.90A	6.00A	6.10A
Voltage at Nominal Power (V_{mp})	36.7V	36.9V	37.1V	37.3V	37.5V	37.7V
Current at Nominal Power (I_{mp})	5.32A	5.43A	5.53A	5.64A	5.74A	5.84A
Module Efficiency (%)	15.27	15.67	16.06	16.45	16.84	17.23
Operating Temperature	-40°C to +85°C					
Maximum System Voltage	1000V DC					
Fire Resistance Rating	Type 1(in accordance with UL1703)/Class C(IEC61730)					
Maximum Series Fuse Rating	10A					

STC: Irradiance 1000W/m², Cell temperature 25°C, AM1.5

ELECTRICAL CHARACTERISTICS AT NOCT

Nominal Power (P_{max})	144W	147W	151W	155W	159W	163W
Open Circuit Voltage (V_{oc})	41.5V	41.6V	41.8V	42.0V	42.2V	42.4V
Short Circuit Current (I_{sc})	4.56A	4.63A	4.71A	4.78A	4.86A	4.94A
Voltage at Nominal Power (V_{mp})	33.4V	33.6V	33.8V	34.0V	34.2V	34.4V
Current at Nominal Power (I_{mp})	4.32A	4.38A	4.47A	4.56A	4.65A	4.74A

NOCT: Irradiance 800W/m², Ambient temperature 20°C, Wind Speed 1 m/s

MECHANICAL CHARACTERISTICS

Cell type	Monocrystalline 125x125mm (5x5inches)
Number of cells	72 (6x12)
Module dimensions	1580x808x35mm (62.20x31.81x1.38inches)
Weight	15.5kg (34.2lbs)
Front cover	3.2mm (0.13inches) tempered glass with AR coating
Frame	Anodized aluminum alloy
Junction box	IP67, 3 diodes
Cable	4mm ² (0.006inches ²), 900mm (35.43inches)
Connector	MC4 or MC4 compatible

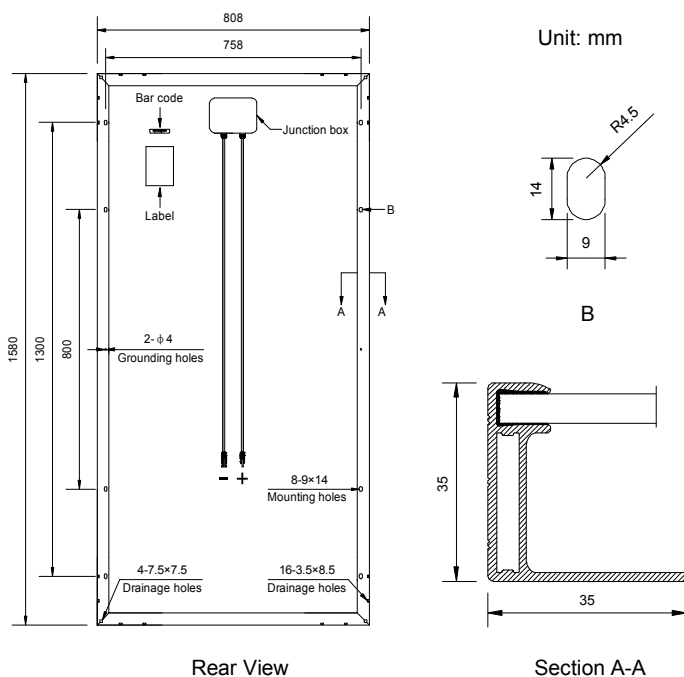
TEMPERATURE CHARACTERISTICS

Nominal Operating Cell Temperature (NOCT)	45°C±2°C
Temperature Coefficients of P_{max}	-0.41%/°C
Temperature Coefficients of V_{oc}	-0.31%/°C
Temperature Coefficients of I_{sc}	0.05%/°C

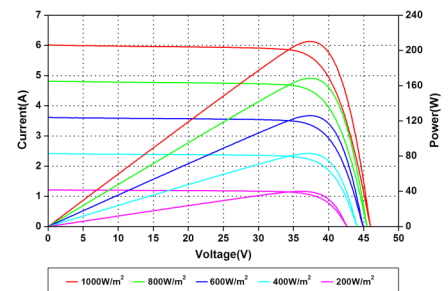
PACKAGING

Standard packaging	29pcs/pallet
Module quantity per 20' container	348 pcs
Module quantity per 40' container	812 pcs

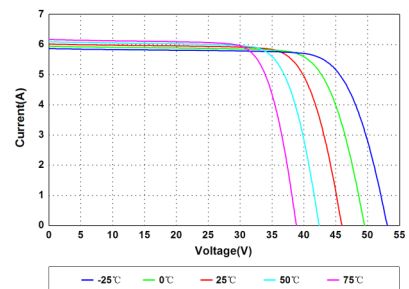
ENGINEERING DRAWINGS



IV CURVES



Current-Voltage and Power-Voltage Curves at Different Irradiances



Current-Voltage Curves at Different Temperatures

Specifications in this datasheet are subject to change without prior notice.